

Accu Energy **One**

One pump
with maximum
possibilities.



Flexible – reliable – convenient – with the hybrid system



Bürkle barrel pumps AccuOne and EnergyOne with the unique hybrid system ensure fast, flexible and convenient filling whenever and wherever you want. The pumps are equipped with two different power supply systems: AccuOne, driven by a high-performance rechargeable battery or EnergyOne, with a power cable for direct connection to the electrical network.

The innovative feature: The power supply units are interchangeable!

The rechargeable battery or the power supply unit are fitted with a clip lock and are removable. They can be exchanged quickly and easily. Thus AccuOne can also be operated with the power supply cable unit and EnergyOne can be operated with the rechargeable battery. With a replacement rechargeable battery as an accessory, you never have to wait for charging.

The drive can also be disconnected quickly and easily from the pump station with a clip lock. This makes it possible to use one drive for filling at several stationary pump stations.

AccuOne and EnergyOne are designed for applications in which even very small amounts of liquid can be added to small containers with narrow openings.



Removing the battery



Removing the power supply



Removing the drive



TouchPanel



One drive for several pump stations

The TouchPanel features a foil keyboard sealed off against dust, dirt and water. The keyboard can be used to regulate the flow rate continuously from 0.4 l/min to 12 l/min.

In addition to the discharge tube, a flexible discharge hose with nozzle is optionally available. The light and powerful pumps are made of high-quality materials, PP and Hastelloy C, to ensure outstanding chemical resistance. This also makes them suitable for dispensing acids and bases. Please make note of detailed information related to chemical resistance!

- ▶ Unique hybrid system – rechargeable battery and power supply unit are interchangeable
- ▶ Replacement back-up battery available
- ▶ Drive unit can be easily disconnected
- ▶ TouchPanel for precise dosing
- ▶ Excellent residual draining and pumping capacity

AccuOne/EnergyOne

AccuOne battery driven barrel pump



The barrel pump driven by rechargeable battery, AccuOne, features a unique hybrid system with complete flexibility and independence from the electrical network.

A powerful light rechargeable battery with the latest next generation lithium-ion technology, without memory effect, with auto-stop function before deep discharge.

- ▶ Lithium-ion rechargeable battery
- ▶ Replacement back-up battery available
- ▶ Up to 1500 litres of delivery volume per battery charge
- ▶ Outstanding chemical resistance
- ▶ Optionally available with rechargeable battery or power supply unit (available as accessory)

Immersion depth cm	Item no.
50	5900-1050 N4
70	5900-1070 N4
100	5900-1100 N4

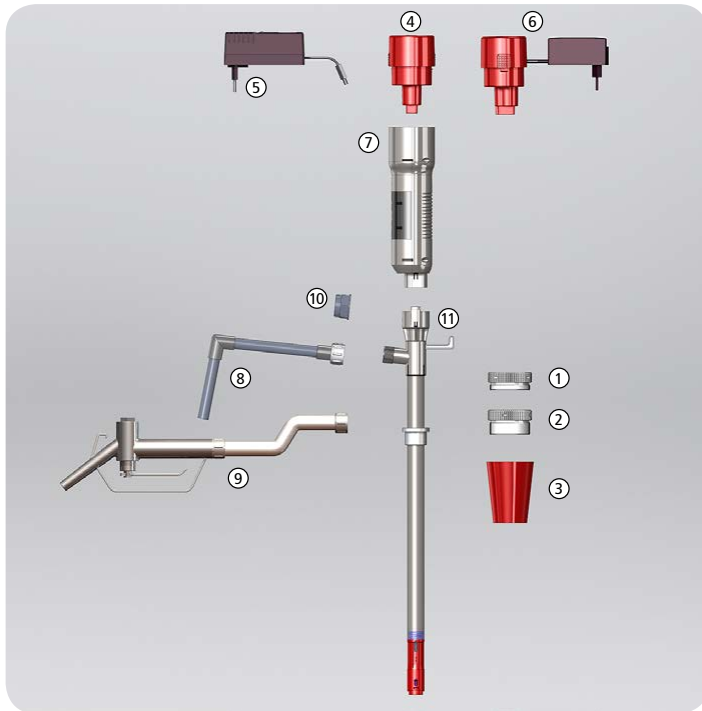
EnergyOne power supply driven barrel pump



The barrel pump driven by power supply unit, EnergyOne, features a unique hybrid system with complete flexibility and independence from battery charging.

- ▶ Unlimited filling duration
- ▶ Outstanding chemical resistance
- ▶ Optionally available with power supply unit or rechargeable battery (available as accessory)

Immersion depth cm	Item no.
50	5900-2050 N4
70	5900-2070 N4
100	5900-2100 N4



Accessories

Description	Item no.
① PP barrel screw joint, R 2", steel fine outer thread	5600-3130 N4
① PP barrel screw joint, Mauser 2", coarse outer thread	5600-3170 N4
① PP barrel screw joint, Tri-Sure, coarse outer thread	5600-3180 N4
② Container screw joint	5600-3140 N4
③ PVC barrel plug, dia. 40–70 mm (not for EX zone)	5600-3150 N4
④ Rechargeable battery without charger for Accu/EnergyOne	5900-3010 N4
⑤ Charger for battery Accu/EnergyOne	5900-3015 N4
⑥ Power supply unit incl. connector for Accu/EnergyOne	5900-3020 N4
⑦ Drive without rechargeable battery, power supply unit	5900-3030 N4
⑧ Discharge tube	5900-3040 N4
⑨ Discharge hose 1,2 m, with nozzle (PVC, PP, V2A, FKM)	5900-3045 N4
⑩ Closing cap thread 3/4"	8535-0034 N3
⑪ Pump station Accu/EnergyOne, submersible length 50 cm	5900-3050 N4
⑪ Pump station Accu/EnergyOne, submersible length 70 cm	5900-3070 N4
⑪ Pump station Accu/EnergyOne, submersible length 100 cm	5900-3100 N4



Power supply unit incl. connector



Charger



Discharge hose with nozzle

